

CREALITY

Create reality, achieve dreams

Ender-3 V3 KE

Ender-3 V3 KE

3D Printer User Manual

V1.1

To Our Dear Users

Thank you for choosing Creality. For your convenience, please read through this User Manual before you start and follow the instructions provided carefully.

Creality is always ready to provide you with high-quality services. If you encounter any issues or have any questions when using our products, please use the contact information at the end of this manual to contact us. To further improve your user experience, you can find more about our devices via the following methods:

User manual: You can find instructions and videos in the memory card provided with the printer.

You can also visit our official website (<https://www.creality.com>) to find information regarding software, hardware, contact information, device instructions, device warranty information, and more.

Firmware Upgrade

1. To upgrade the WiFi firmware, you can upgrade the firmware via the Creality Cloud OTA;
2. To upgrade the equipment firmware, you can visit <https://www.creality.com>, click on Service Center → Firmware/Software Download → Download the required firmware, install and use it.

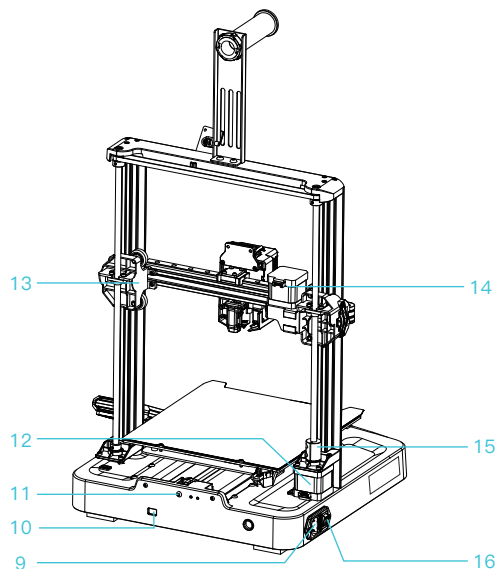
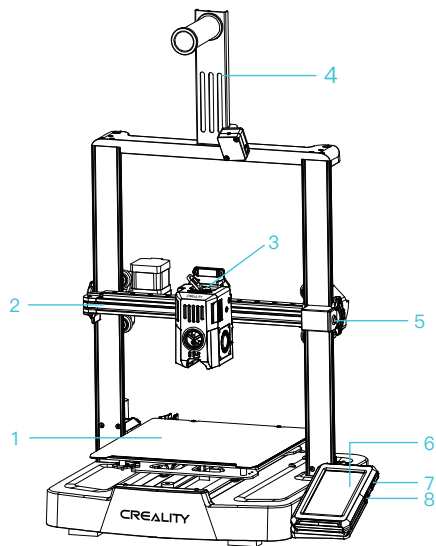
Videos showing the operation of the products and after-sales service

1. Please visit Creality Cloud: <https://www.crealitycloud.com/product>, click on "Products" and select the right model, and then click on "Related" to view the tutorials on after-sales service;
2. Or contact our after-sales service center at +86 755 3396 5666, or send e-mail to cs@creality.com.

1. Do not use this printer by methods or operations that are not described in this manual, otherwise it may result in accidental injury or property damage;
2. Do not place this printer near flammable materials, explosive materials or high heat sources. Please place this printer in a ventilated, cool and low-dust environment;
3. Do not place this printer in a vibrating or any other unstable environment, as the printing quality will be compromised when the printer shakes;
4. Please use the filament recommended by the manufacturer, otherwise the nozzle may be clogged or the printer may be damaged;
5. Please use the power cord provided with the printer and do not use the power cord of other products. The power plug must be plugged into a three-hole socket with a ground wire;
6. Do not touch the nozzle or hotbed while the printer is in operation, otherwise you may get burned;
7. Do not wear gloves or accessories while operating the printer, otherwise the moving parts may cause accidental injury including cuts and lacerations;
8. After the printing process is complete, please use tools to clean up the filament on the nozzle while the nozzle is still hot. Do not touch the nozzle with your hands when cleaning, otherwise your hands may get burned;
9. Please regularly clean the printer body with a dry cloth while the power is off, and wipe off dust, sticky printing materials, and foreign objects on the guide rails;
10. Children under the age of 10 must not use this printer without adult supervision in order to avoid accidental injury;
11. This printer has a safety protection mechanism. Please do not manually move the nozzle or printing platform quickly while the printer is on, otherwise the printer will automatically power off for protection;
12. Users should abide by the laws and regulations of the corresponding country and region where the equipment is located (place of use), abide by professional ethics, and pay attention to safety obligations. The use of our products or equipment for any illegal purpose is strictly prohibited. Our company is not responsible for the relevant legal responsibilities of any violators.

1. About the Printer	01-01
2. Parts List	02-02
3. Assembly Procedure	03-08
3.1 Gantry frame	03-03
3.2 Display screen	04-04
3.3 Material rack and filament detection assemblies	05-05
3.4 Equipment Wiring	06-06
4. Printer Auto Guidance	07-11
4.1 Auto Guidance	07-07
4.2 Auto Detection	08-08
4.3 About the User Interface	09-11
5. First Printing	12-17
5.1 Filament Loading	12-13
5.2 LAN printing	14-16
5.3 USB flash drive printing	17-17
6. Equipment Maintenance	18-19
6.1 Platform plate removal and maintenance	18-18
6.2 Maintenance of screw rod, optical axis and guide rail	18-18
6.3 Nozzle Replacement	19-19
7. Equipment Parameters	20-20
8. Circuit Connecting	21-21

1.About the Printer



1 Print platform

2 X-axis kit

3 Extruder kit

4 Material rack and filament detection assemblies

5 X-axis tensioner

6 Display screen

7 USB port 1

8 USB port 2

9 Power outlet

10 Voltage regulation gear

11 Y-axis tensioner

12 Z-axis motor

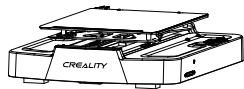
13 X-axis support

14 X-axis motor

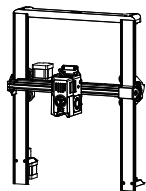
15 Coupler

16 Power switch

2.Parts List



1 Base component



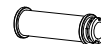
2 Gantry frame



3 Display screen component



4 Material rack and filament detection assemblies



5 Filament tube



Accessory kit



6 Hexagon Socket Head Cap Screw with Spring Washer M3*14 x6



7 Hexagon Socket Button Head Screw M4*10 x3



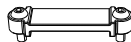
8 Hexagon Socket Button Head Screw M5*8 x2



9 Hexagon Socket Head Cap Screw M3*8 x2



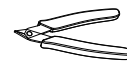
10 Toolkit



11 FFC Fixing Clip Assembly



12 Power cable



13 Cutting plier



14 Filament (20m)



15 Nozzle cleaner



16 Nozzle

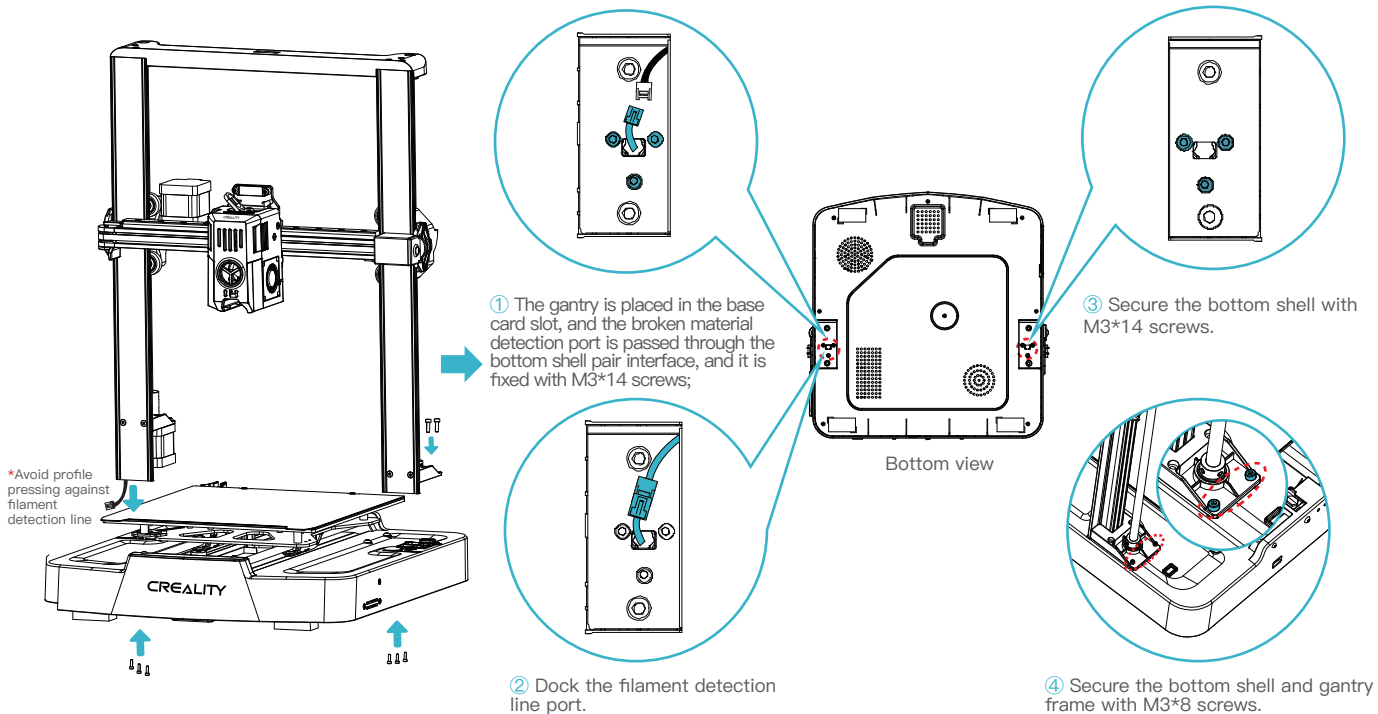


17 USB Flash Disk

Note: The above accessories are for reference only. Please refer to the physical accessories.

3.Assembly Procedure

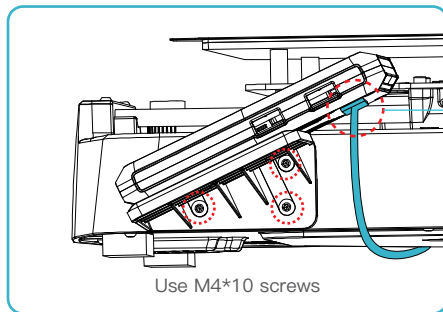
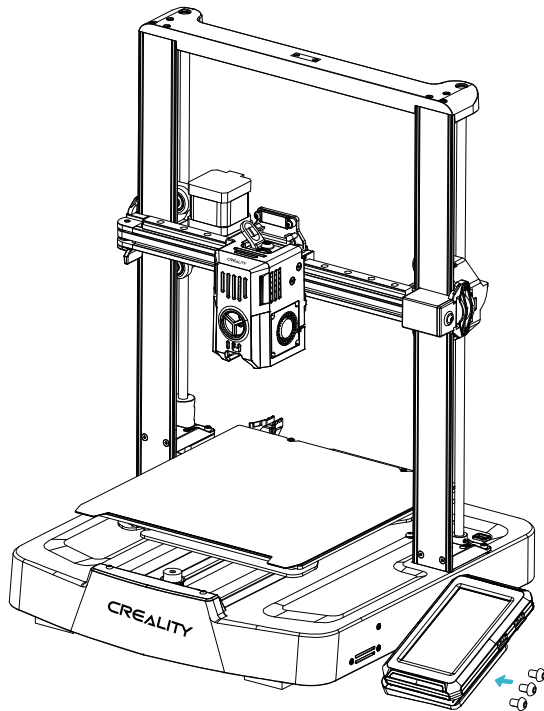
3.1 Gantry frame



3.Assembly Procedure

3.2 Display screen

Put the display screen on the right side of the bottom assembly, align the screw holes and secure with M4*10 screws, then connect the display wiring.

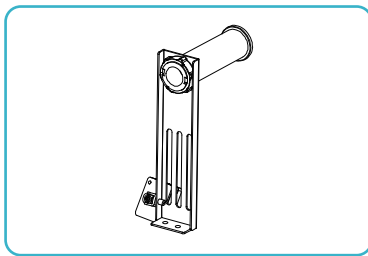
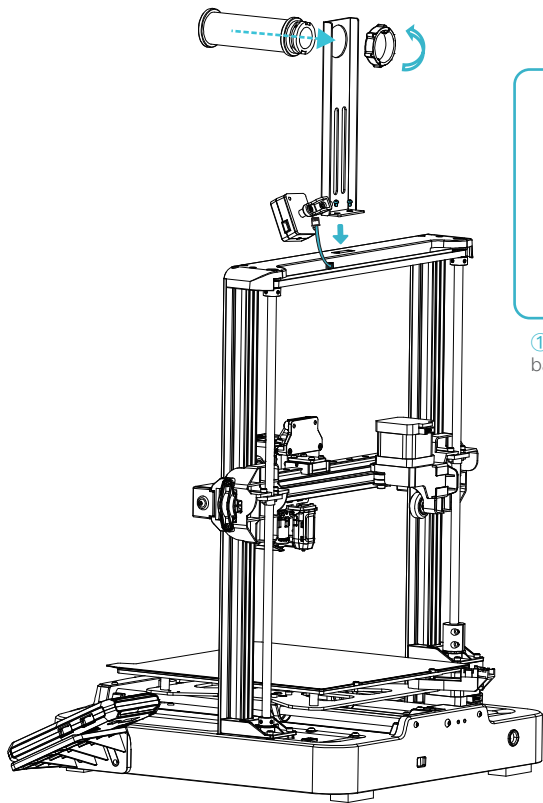


Display wiring

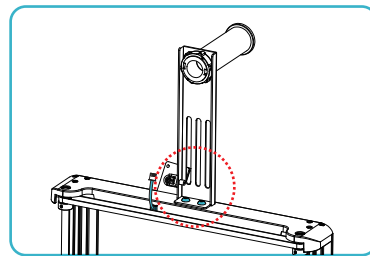
Use M4*10 screws

3.Assembly Procedure

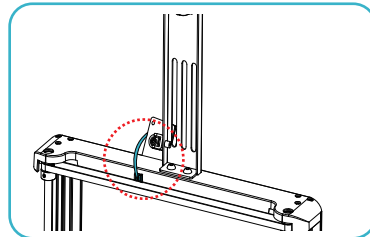
3.3 Material rack and filament detection assemblies



① Install the material rack and material barrel according to the diagram;



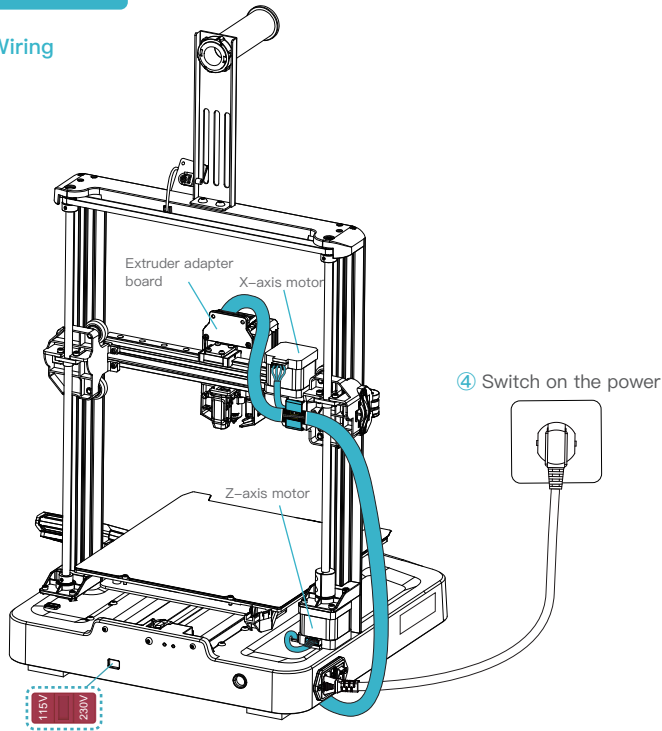
② Secure the material rack and filament detection assembly onto the gantry frame, align the screw holes and lock it with M5*8 screws;



③ Connect the filament detection switch.

3.Assembly Procedure

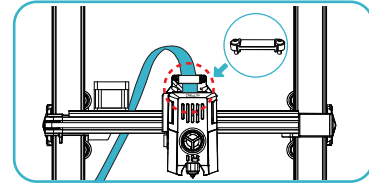
3.4 Equipment Wiring



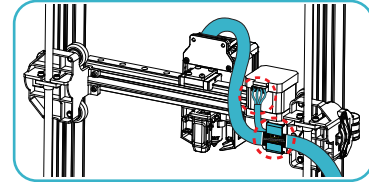
④ Switch on the power

Caution

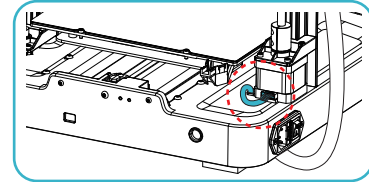
- Please ensure the correct position for the power supply switch and mains before supply connection, in order to avoid damage to the device.
- If the mains between 100V and 120V, please select the 115V for the power supply switch.
- If the mains between 200V and 240V, please select the 230V for the power supply switch(default is 230V).



① First insert the nozzle wire into the nozzle adapter plate , then install the FFC fixing clip assembly, and use M3*8 screws to fix and lock it;



② Following the wire label instructions, first insert the extruder line into the cable fixing clip, and then connect the X-axis motor;



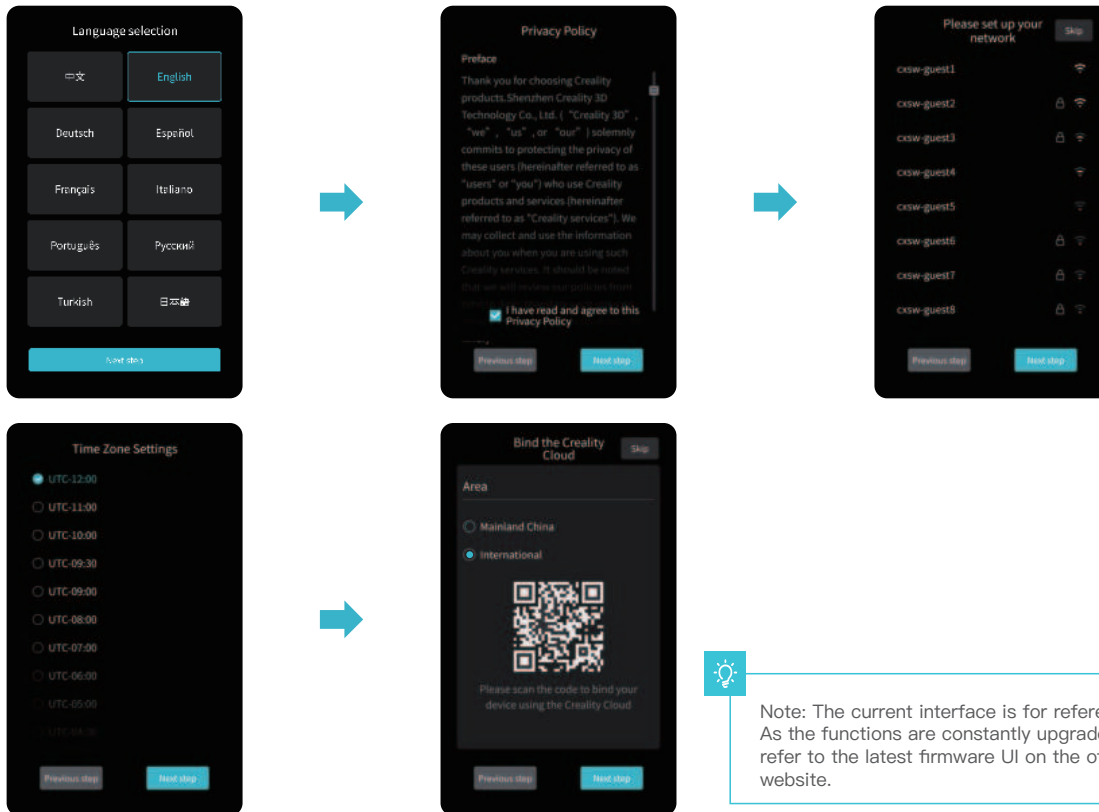
③ Connect the Z-axis motor.



Tips:

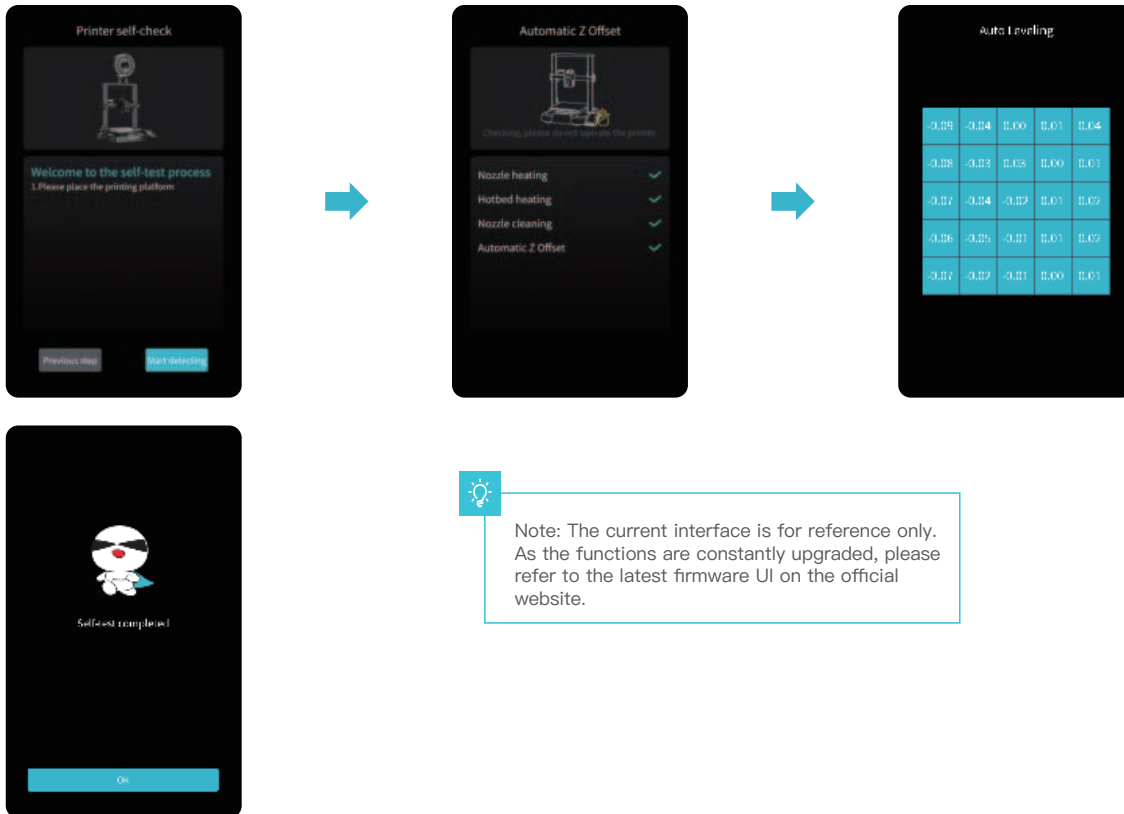
Please ensure proper wiring according to the provided diagram and avoid overturning or folding the extruder cable, as it may cause printing abnormalities.

4.1 Auto Guidance



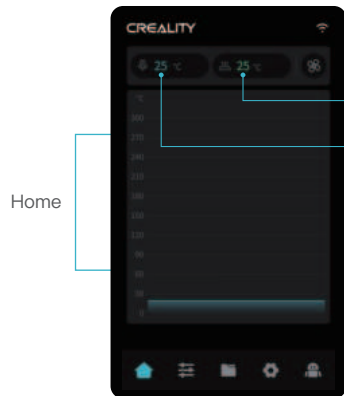
Note: The current interface is for reference only. As the functions are constantly upgraded, please refer to the latest firmware UI on the official website.

4.2 Auto Detection



4. Printer Auto Guidance

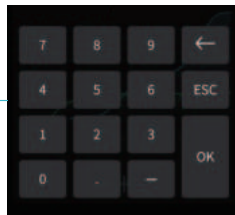
4.3 About the User Interface



Home

Hotbed temperature

Nozzle temperature



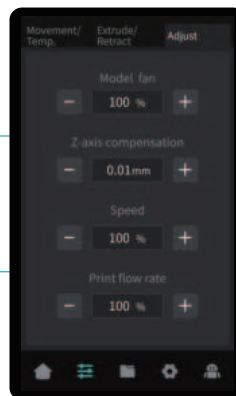
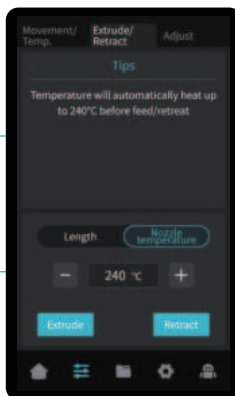
Parameters can be manually set



Note: The current interface is for reference only. As the functions are constantly upgraded, please refer to the latest firmware UI on the official website.



Prepare

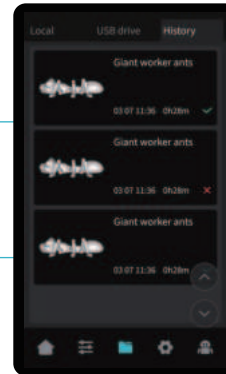
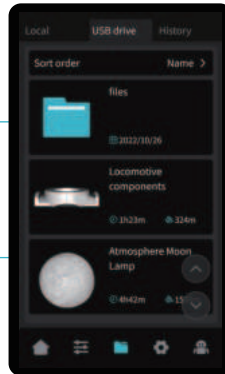
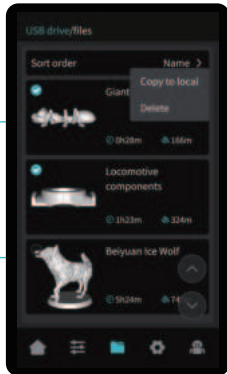


Use the preparation interface to set functions such as axis movement, temperature control for filament extrude/retract, and model fan.

4. Printer Auto Guidance



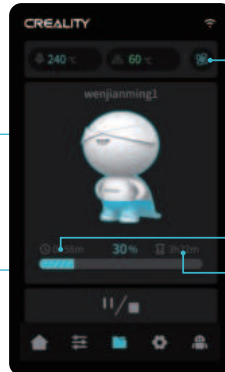
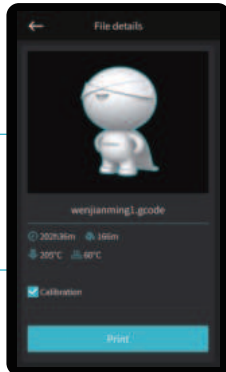
Print file preview



Local and USB flash drive model files can be managed via the print file preview interface.

Long press on the model to select multiple options and copy locally
*Up to a maximum of 3 models can be copied

Print interface



Model fan switch

Print time

Time remaining

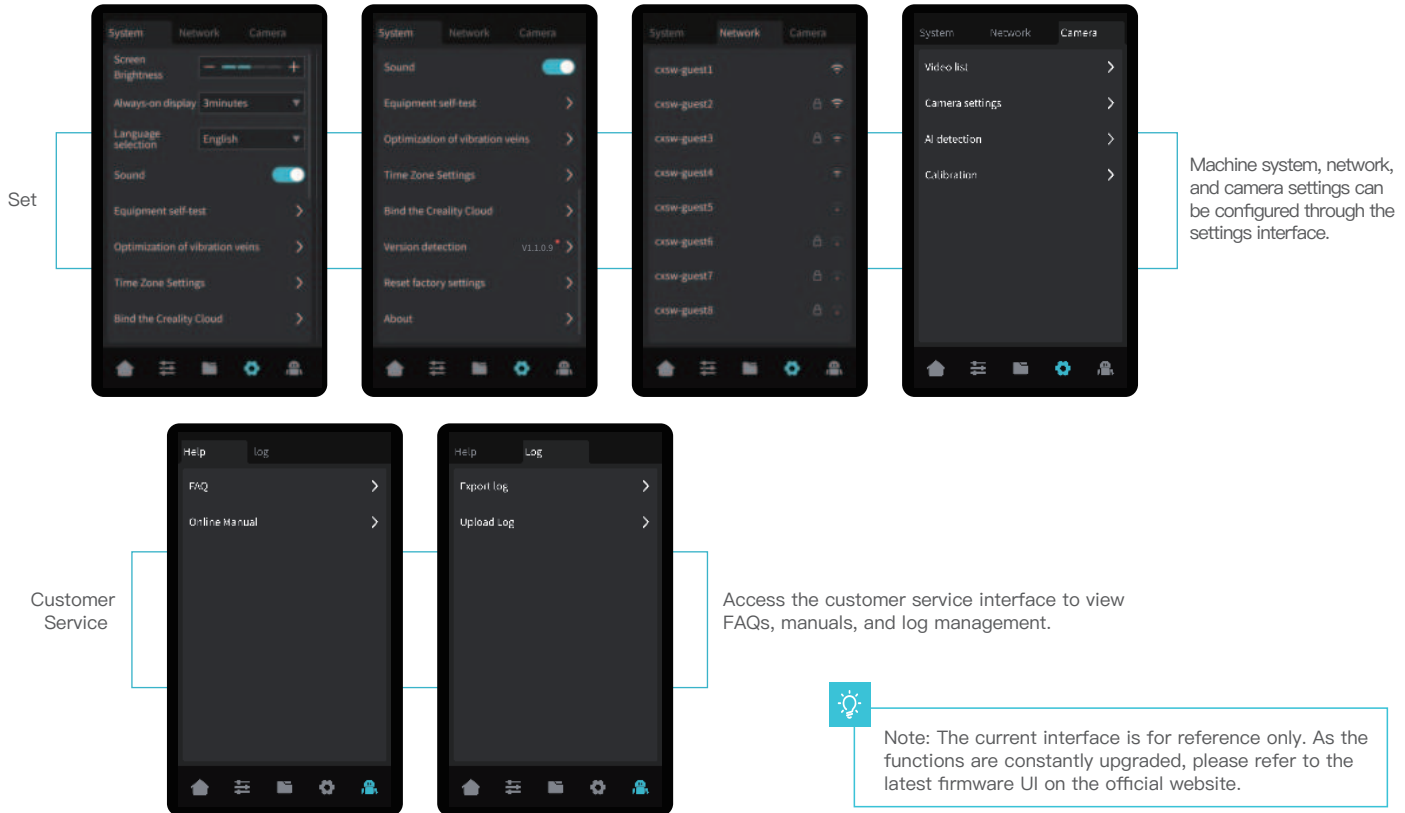


Note: The current interface is for reference only. As the functions are constantly upgraded, please refer to the latest firmware UI on the official website.

Click on the model file to access its details

*Checking "Print Calibration" can improve print quality

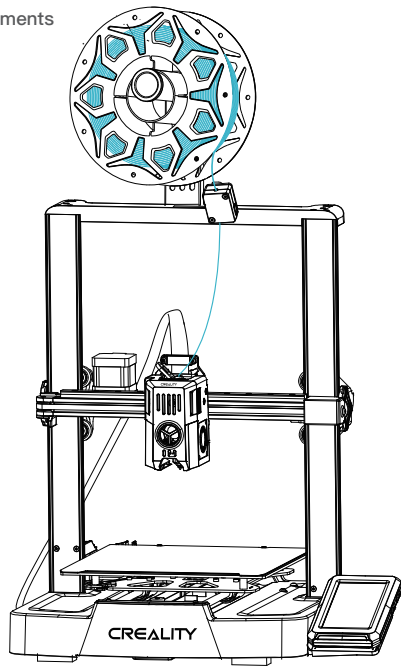
4. Printer Auto Guidance



5.First Printing

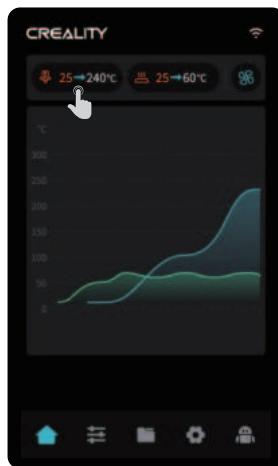
5.1 Filament Loading

5.1.1 Load filaments

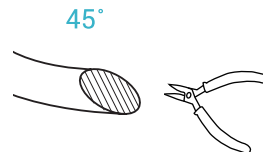


How to Replace the Filament?

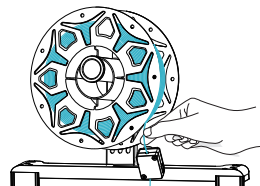
Withdraw the filaments quickly and feed the new filaments after the nozzle is preheated and filaments are pushed a little forward.



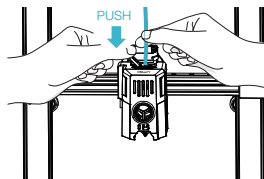
① Perform nozzle warm-up;



② Before first printing, cut the front of the filament at 45° and break it off straight;



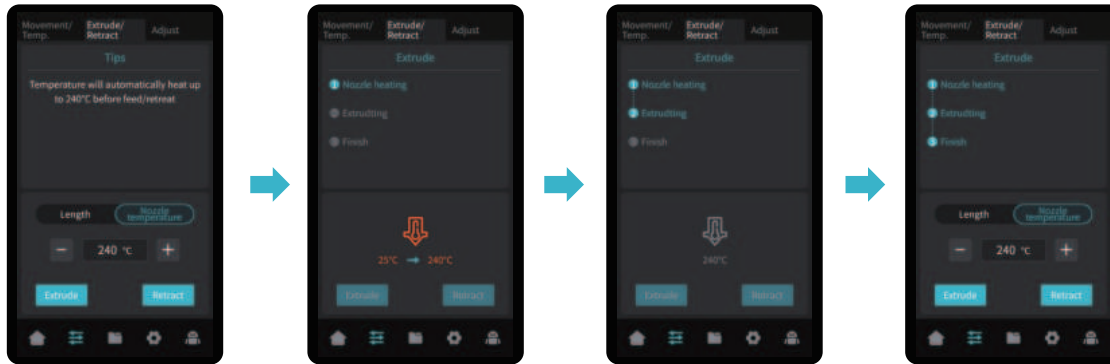
③ Thread the straightened filaments through the filament detection switch;



④ Gently press the extrusion clamp and push the filaments that have passed through the filament detection switch through the hole to the bottom of the heat break, until there is some excess filaments protruding at the nozzle.

5.First Printing

5.1.2 Auto feed

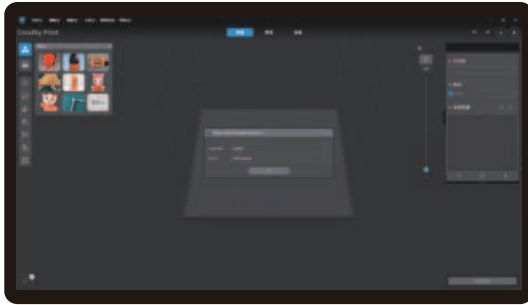


5.1.3 Auto retreat

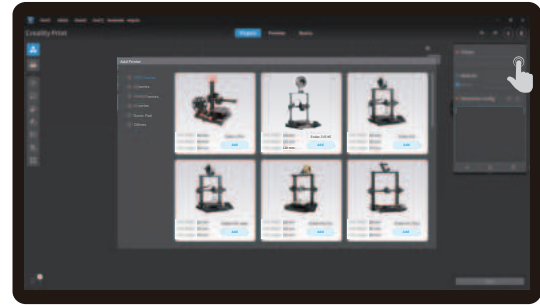


5.2 LAN printing

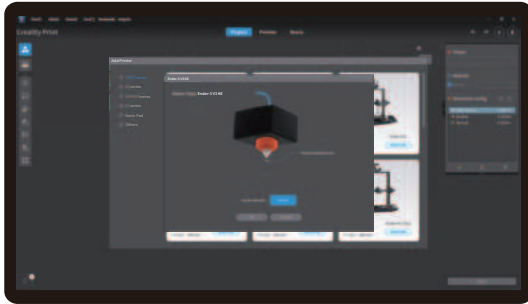
- ※ Install Creality Print slicing software by opening the random data on the USB flash drive.
- ※ Log in to the official website to download for installation: <https://www.crealitycloud.com/software-firmware/software?type=7>



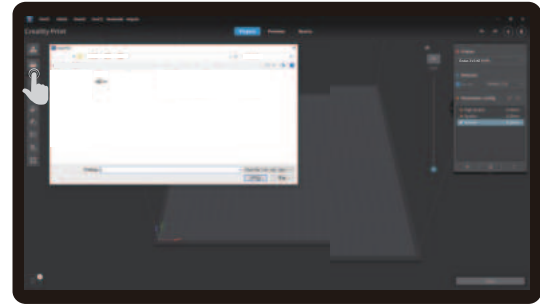
① Select "Language" and "Server"



② Add the printer

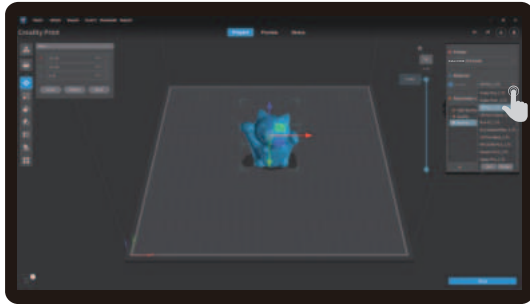


③ Confirm the nozzle diameter

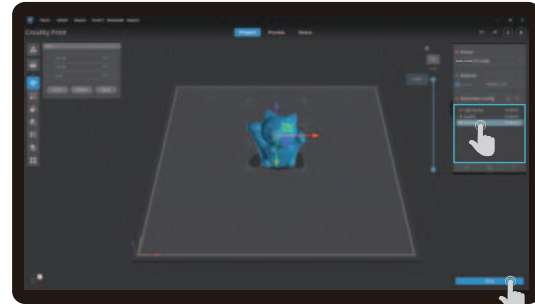


④ Import model files

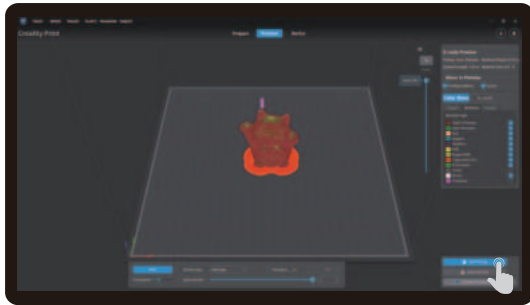
5.First Printing



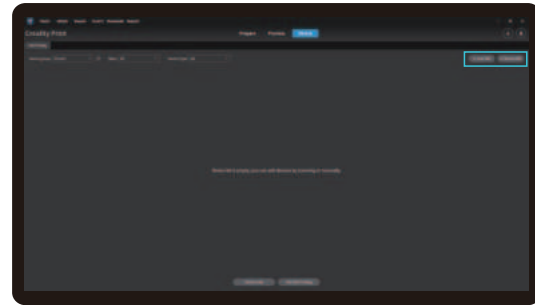
⑤ Set filament type



⑥ Adjust parameter configuration and click on "Slice"



⑦ After slicing is done, click on "LAN printing"

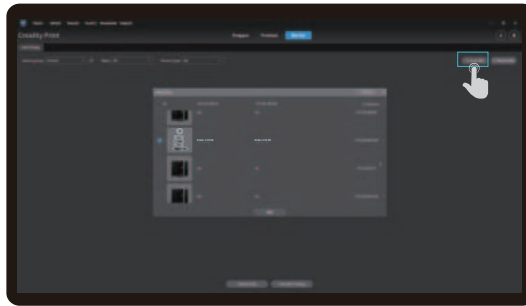


⑧ Add equipment: can be added either by "scan to add" or "manually add".

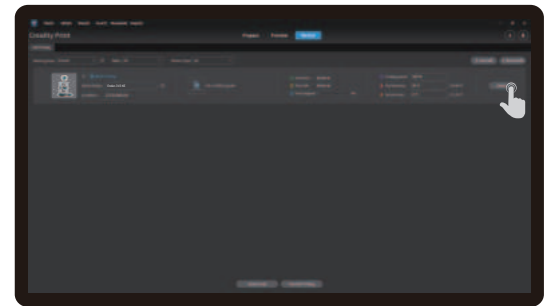


Note: The current interface is for reference only. As the functions are constantly upgraded, please refer to the latest firmware UI on the official website.

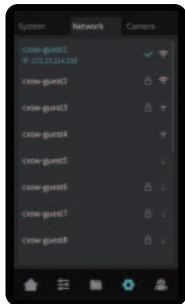
5.First Printing



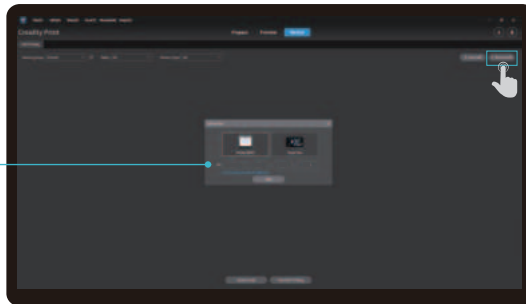
⑧ Add a device: a. Scan Add → Select device



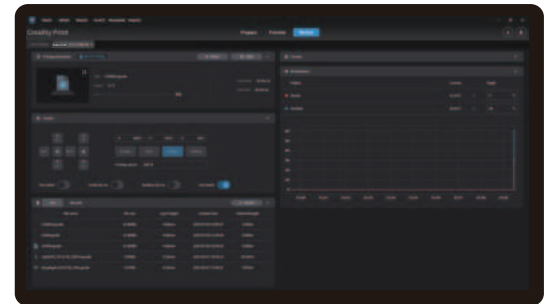
⑨ Device list



Click "Settings" → "Network" to view the IP address of the connected network



⑧ Add a device: b. Add a device by manually entering the IP address



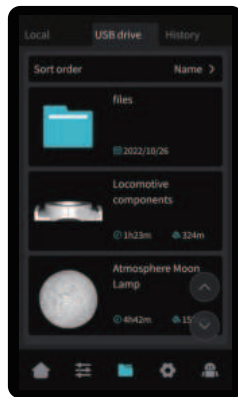
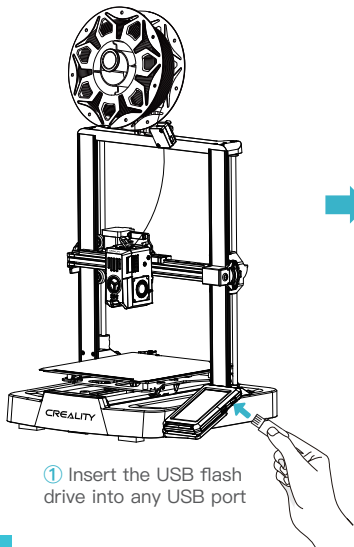
⑩ Equipment printing information details



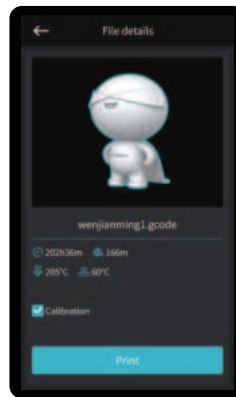
Note: The current interface is for reference only. As the functions are constantly upgraded, please refer to the latest firmware UI on the official website.

5.First Printing

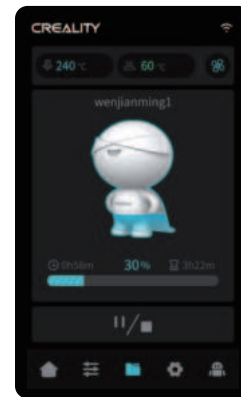
5.3 USB flash drive printing



② Select the model from the USB flash drive



③ Click on "Print"



④ Printing...

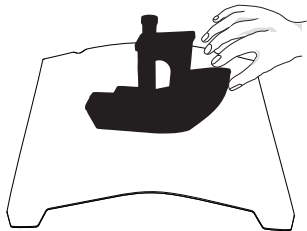


Tips:

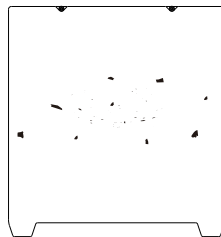
1. For details on using the software, please refer to the slicing software user manual on the USB flash disk.
2. Saved files must be placed in the root directory (not a subdirectory) of the USB flash disk.
3. It is recommended that you name the files using Latin alphabet, numbers, and common characters.
4. Do not insert or remove the USB flash disk during the printing process.

6. Equipment Maintenance

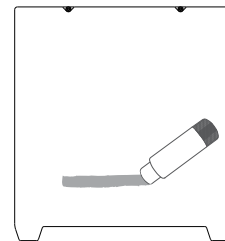
6.1 Platform plate removal and maintenance



- ① a. When printing is finished, wait for the platform plate to cool before removing the printing platform with the model attached;
b. Slightly bend the platform with both hands to separate the model from the platform.



- ② If there are residual filaments on the platform plate, scrape them off lightly with a blade and print again.



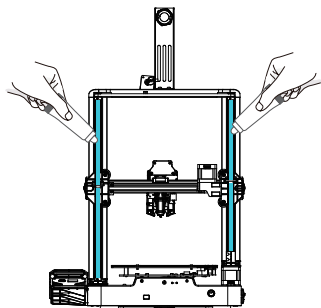
- ③ If the first layer of the model is not properly glued, it is recommended to apply solid adhesive evenly on the surface of the platform plate .



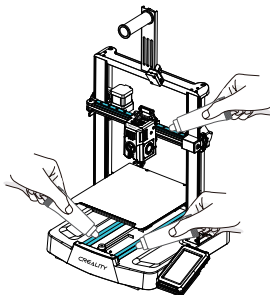
- Tips: 1. The printing platform is not easy to bend too large in daily use, and it is impossible to prevent deformation from being unusable;
2. The printing platform is a perishable part, and it is recommended to replace it regularly to ensure that the first layer of the model sticks properly.

6.2 Maintenance of screw rod, optical axis and guide rail

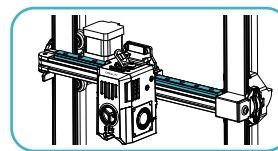
It is recommended to purchase lubricant and perform regular lubrication maintenance on the screw rods, optical shafts, and guide rail areas.



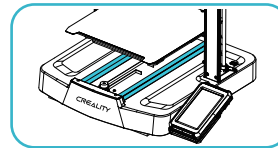
Screw rod area



Optical axis and guide rail area

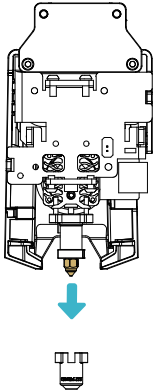


Guide rail area

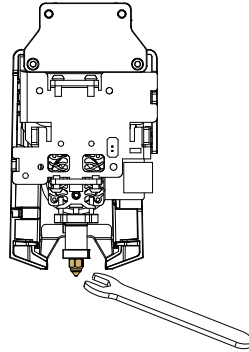


Optical axis area

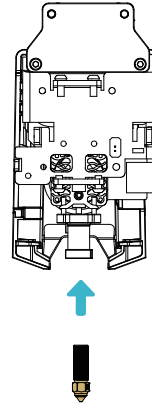
6.3 Nozzle Replacement



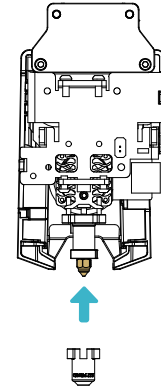
① Remove the silicone protective cover



② Remove the old nozzle



③ Mount a new nozzle



④ Mount the silicone protective cover

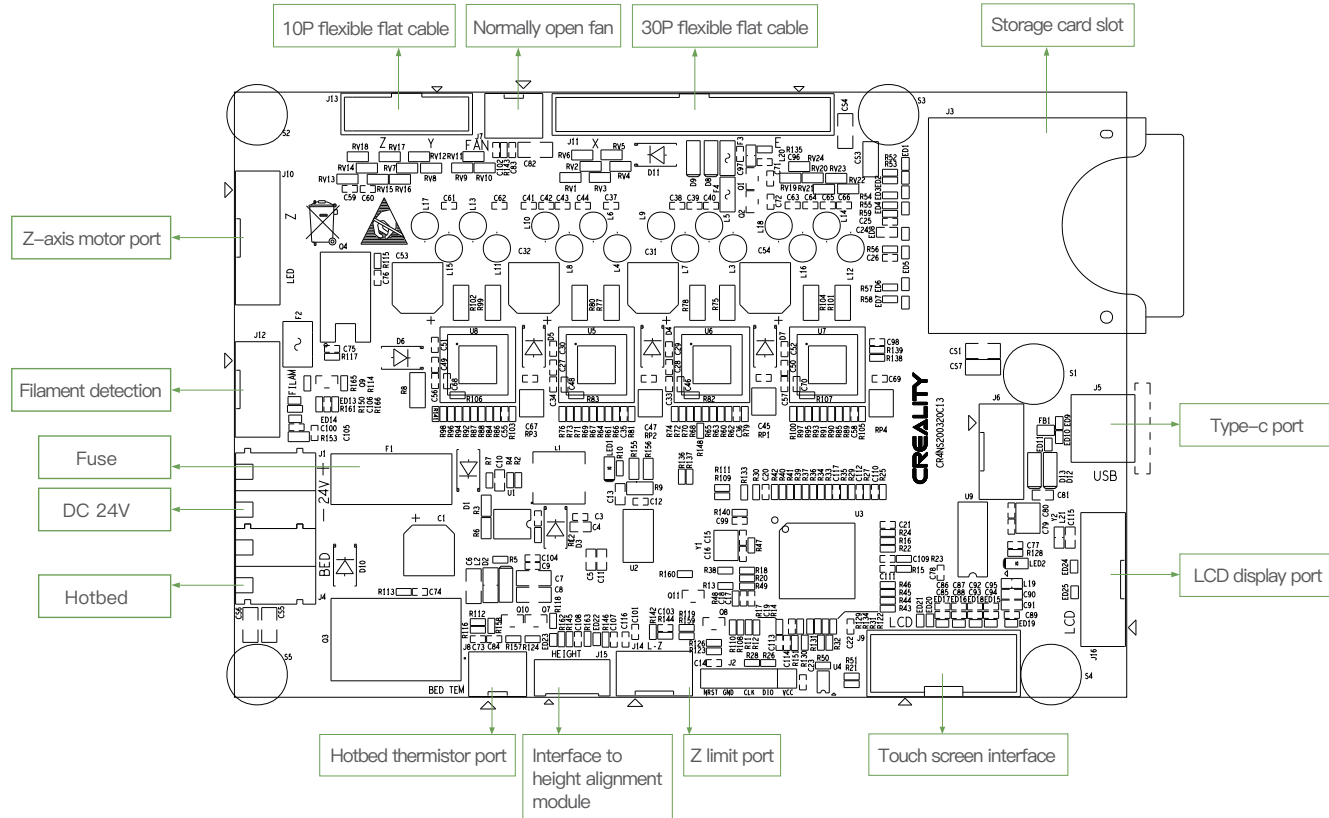


Warnings:

1. To replace the nozzle, you need to preheat the nozzle first;
2. Prevent scalding when replacing nozzles which are hot;
3. Use a tool to hold the heating block in place when removing the nozzle to avoid damage to the components.

Equipment Parameters	
Model	Ender-3 V3 KE
Modeling Technolog	FDM
Modeling Dimensions	220*220*240mm
Leveling Method	Auto-leveling with CR-Touch
Number of Nozzles	1pcs
Extruder Diameter	0.4 mm (standard)
Slice Thickness	0.1-0.35mm
Precision	±0.1mm
Typical Printing Speed	300mm/s
Maximum Printing Speed	500mm/s
Maximum Acceleration	8000mm/s ²
Nozzle Temperature	≤300°C
Hotbed Temperature	≤100°C
Ambient Temperature	5°C~35°C
Filaments	PLA/PETG/ABS/TPU(95A)/ASA
Rated Power	350W
Input voltage	100-120V~, 200-240V~, 50/60Hz
Power Loss Recovery	YES
Filament detection	YES
Printing Method	LAN printing/USB flash drive printing/APP printing
Slicing Software	STL/OBJ/3MF/AMF
File Format	Creality print/Cura 5 and later/Simplify3D
Operating Systems	Windows/Mac OS/Linux
Language	English/ Español/ Deutsche/ Français/ Русский/ Português/ Italiano/ Türk/ 日本語/ 中文

8. Circuit Connecting



FCC Caution:

Any Changes or modifications not expressly approved by the party responsible for compliance could void the user's authority to operate the equipment.

This device complies with part 15 of the FCC Rules. Operation is subject to the following two conditions: (1) This device may not cause harmful interference, and (2) this device must accept any interference received, including interference that may cause undesired operation.

IMPORTANT NOTE:

Note: This equipment has been tested and found to comply with the limits for a Class B digital device, pursuant to part 15 of the FCC Rules. These limits are designed to provide reasonable protection against harmful interference in a residential installation. This equipment generates, uses and can radiate radio frequency energy and, if not installed and used in accordance with the instructions, may cause harmful interference to radio communications. However, there is no guarantee that interference will not occur in a particular installation. If this equipment does cause harmful interference to radio or television reception, which can be determined by turning the equipment off and on, the user is encouraged to try to correct the interference by one or more of the following measures:

- Reorient or relocate the receiving antenna.
- Increase the separation between the equipment and receiver.
- Connect the equipment into an outlet on a circuit different from that to which the receiver is connected.
- Consult the dealer or an experienced radio/TV technician for help.

FCC Radiation Exposure Statement:

This equipment complies with FCC radiation exposure limits set forth for an uncontrolled environment.

This equipment should be installed and operated with minimum distance 20cm between the radiator& your body.

Due to the differences between different machine models, the actual objects and the images can differ. Please refer to the actual machine. The final explanation rights shall be reserved by Shenzhen Creality 3D Technology Co., Ltd.

Importer:
Beryko s.r.o.
Pod Vinicemi 931/2, 301 00 Plzeň
www.beryko.cz



SHENZHEN CREALITY 3D TECHNO LOGY CO.,LTD.

18th Floor, JinXiuHongDu Building, Meilong Road, Xinniu Community,
Minzhi Street, Longhua District, Shenzhen City, China.

Official Website: www.creality.com

Tel: +86 755-8523 4565

E-mail: cs@creality.com

